



Z-BAR mini

The Z-Bar Mini packs in all of the style and features of its big brothers. This smaller version delivers the same classic design, long reach, flexibility and multi-directional LED head. The only difference is that the Mini fits in a smaller space. Available in eight different finishes.

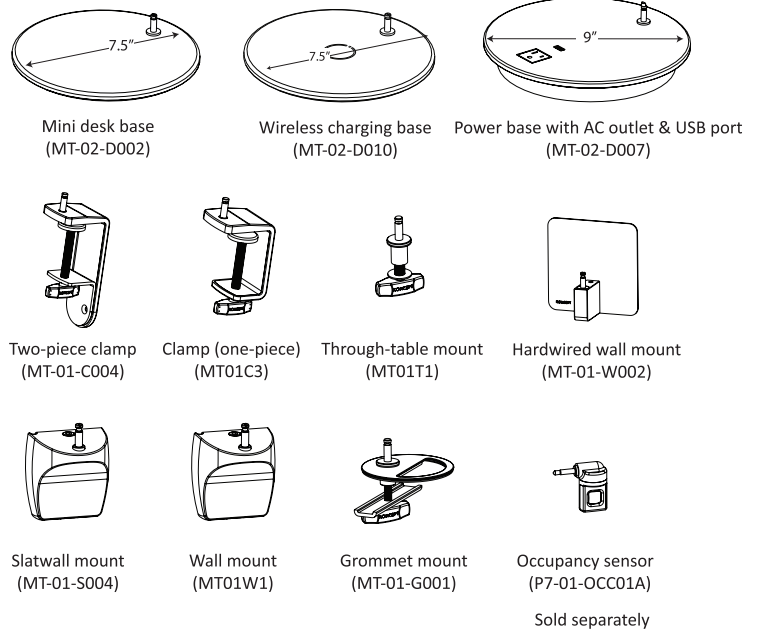
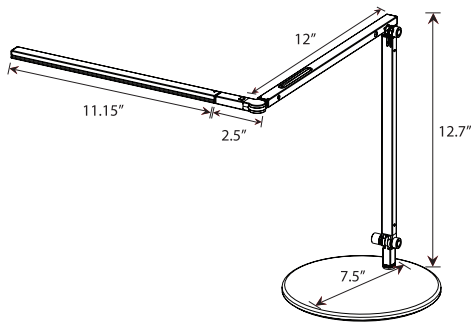
Designer
Peter Ng

Lumens:	320
Energy Consumption:	6.5 watts
Number of LEDs:	28 LEDs
LED Rated Lifespan:	50,000 hours
Color Temperature (Typical) – Daylight ¹ :	5,000 K
Color Temperature (Typical) – Warm:	3,500 K
Color Rendering Index (CRI):	85
Dimmer:	Built-in touchstrip
Brightness Adjustability:	Multiple dimming levels
Standard Color Finish ² :	Metallic Black, Silver, White, Red, Orange, Blue, Green, Purple
Material:	Aluminum/Plastic
Cord:	Black, 10'
C-UL-US Certified	

- AR3100-
- CD = Cool White Light
 - WD = Warm White Light
- MBK = Metallic Black
 - SIL = Silver
 - WHT = White
 - RED = Red
 - ORG = Orange
 - BLU = Blue
 - GRN = Green
 - PUR = Purple
- DSK = Desk Base
 - CLP = Clamp (One-Piece)
 - 2CL = Two-Piece Clamp
 - SLT = Slatwall Mount
 - WAL = Wall Mount
 - GRM = Grommet Mount
 - THR = Through-Table Mount
 - QCB = Wireless Charging Base
 - PWD = Power Base
 - HWS = Hardwired Wall Mount

¹ Daylight light is only offered with Metallic Black and Silver finishes.
² Custom colors are available at additional cost. Contact Konzept or your sales representative for a quote.
³ Maximum brightness is measured on diffused models.

Z-BAR MINI IN BLACK AND SILVER ARE AVAILABLE IN COOL AND WARM.
 ALL OTHER COLORS COME ONLY IN WARM.

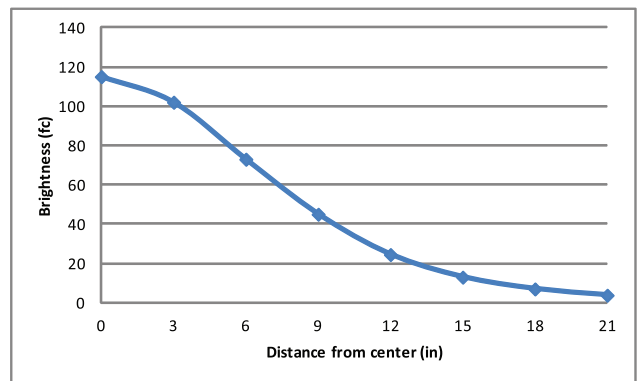


Potential LEED Points

Integrative Process (Possible 2 points)
 To support high-performance, cost-effective project outcomes through an early analysis of the interrelationships among systems. Konzept's LED desktop and task lighting provides finer control over lighting levels in occupied spaces. With personal lighting in place, elimination or downsizing of building lighting systems is possible.

Interior Lighting (Possible 2 points)
 To promote occupants' productivity, comfort and well-being by providing high-quality lighting. All Konzept's task lighting products provide more than three lighting levels that are easily adjustable by occupants to suit their needs. Furthermore, all Konzept's task lighting products use high quality LED light sources with CRI over 80 and L70 rated lifespan over 50,000 hours. Desktop and task personal lighting also provides the opportunity to reduce overhead lighting.

Light source placed at 15" away from worksurface



(Shown: photometrics of diffused light model)